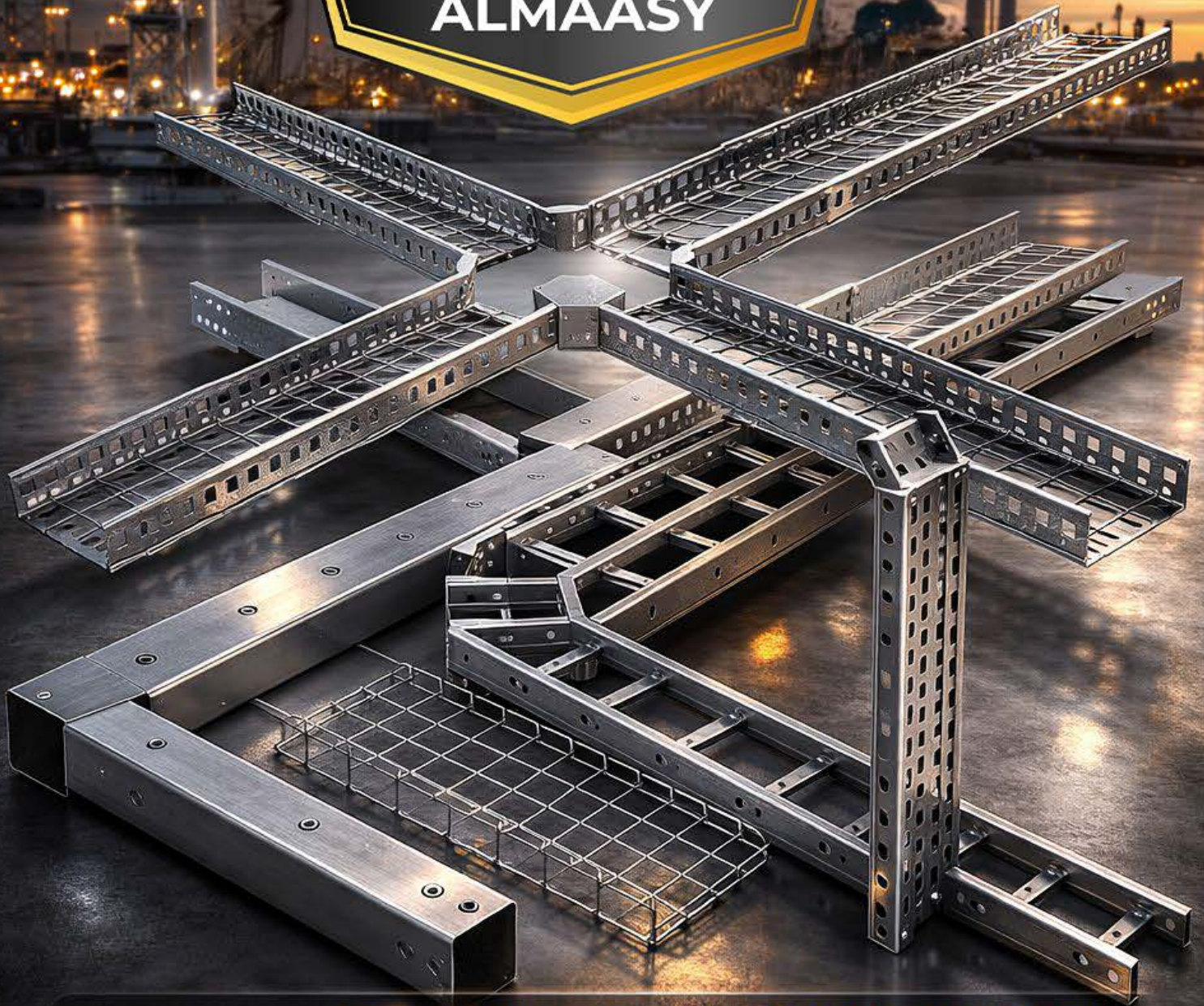




**ALBAYRAQ
ALMAASY**



CABLE TRANSPORT SYSTEMS

INDUSTRIAL CABLE TRAY & CABLE TRANSPORT SYSTEMS



HIGH STRENGTH



CORROSION RESISTANT



EASY INSTALLATION

Generator | Cables | Transformer

0922190992 • 0912190992

Integrated Power Solutions

www.almaasy.com

Page CONTENTS

1	Standard Type Cable Trays - H40 - H60
2	Heavy Duty Cable Tray - H40
2	90° Horizontal Bend - H40
3	T Turn - H40
3	Quadruple Connection - H40
4	Concave Turn - H40
4	Convex Turn - H40
5	Heavy Duty Cable Tray - H60
5	90° Horizontal Rotation - H60
6	T Turn - H60
6	Quadruple Connection - H60
7	Concave Turn - H60
7	Convex Turn - H60
8	Heavy Duty Cable Tray - H100
8	90° Horizontal Rotation - H100
9	T Turn - H100
9	Quadruple Connection - H100
10	Concave Turn - H100
10	Convex Turn - H100
11	Cable Ladders - H40 - H60 - H100
12-13-14	Channel and Staircase Covers
15	Additional Parts - H40 - H60 - H100
16	Wire Mesh Cable Trays
17-18	L Support Systems
19-20	Tijli Support Systems
21-22	U Support Systems
23-24	Wall and Omega Support Systems
25	I Support System (NPI 80)
26	Fasteners
27	Grounding Elements
28	Underfloor Duct Systems

CABLE CHANNEL H40

Product Code	Width (mm)	Thickness (mm)	Pre-galvanized Price	Hot Dip Price
RP 40 N 50.10	50	1,0	110	164
RP 40 N 50.12	50	1,2	165	210
RP 40 N 50.15	50	1,5	190	235
RP 40 N 50.20	50	2,0	245	305
RP 40 N 100.10	100	1,0	140	220
RP 40 N 100.12	100	1,2	230	295
RP 40 N 100.15	100	1,5	270	330
RP 40 N 100.20	100	2,0	348	427
RP 40 N 150.10	150	1,0	224	346
RP 40 N 150.12	150	1,2	298	379
RP 40 N 150.15	150	1,5	360	425
RP 40 N 150.20	150	2,0	460	550
RP 40 N 200.12	200	1,2	285	447
RP 40 N 200.15	200	1,5	425	571
RP 40 N 200.20	200	2,0	550	722
RP 40 N 300.15	300	1,5	580	710
RP 40 N 300.20	300	2,0	750	915
RP 40 N 400.15	400	1,5	735	980
RP 40 N 400.20	400	2,0	950	1260
RP 40 N 500.15	500	1,5	890	1185
RP 40 N 500.20	500	2,0	1150	1525
RP 40 N 600.15	600	1,5	1050	1280
RP 40 N 600.20	600	2,0	1350	1655



CABLE CHANNEL H60

Product Code	Width (mm)	Thickness (mm)	Pre-galvanized Price	Hot Dip Price
RP 60 N 100.10	100	1,0	190	264
RP 60 N 100.12	100	1,2	285	362
RP 60 N 100.15	100	1,5	330	407
RP 60 N 100.20	100	2,0	428	525
RP 60 N 150.12	150	1,2	352	446
RP 60 N 150.15	150	1,5	410	502
RP 60 N 150.20	150	2,0	530	648
RP 60 N 200.12	200	1,2	420	530
RP 60 N 200.15	200	1,5	490	597
RP 60 N 200.20	200	2,0	630	770
RP 60 N 300.15	300	1,5	645	788
RP 60 N 300.20	300	2,0	830	1015
RP 60 N 400.15	400	1,5	800	978
RP 60 N 400.20	400	2,0	1027	1260
RP 60 N 500.15	500	1,5	955	1168
RP 60 N 500.20	500	2,0	1230	1507
RP 60 N 600.15	600	1,5	1100	1358
RP 60 N 600.20	600	2,0	1420	1750



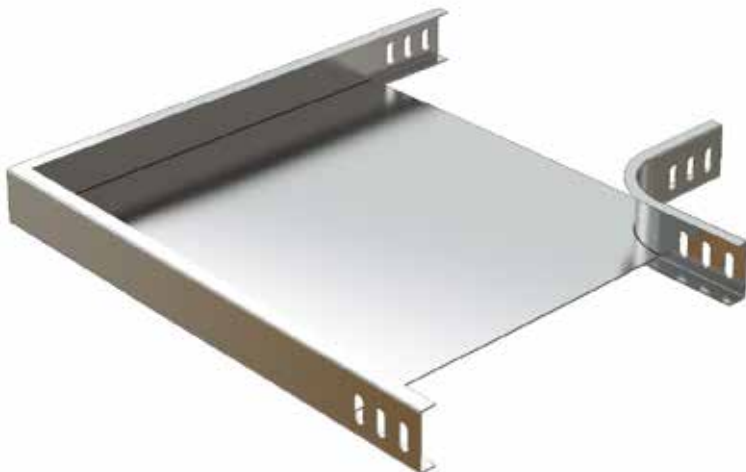
CABLE CHANNEL H40

Product Code	Width (mm)	Thickness (mm)	Pre-galvanized Price	Hot Dip Price
RP 40 A 50.10	50	1,0	120	178
RP 40 A 50.12	50	1,2	190	243
RP 40 A 50.15	50	1,5	225	275
RP 40 A 50.20	50	2,0	290	350
RP 40 A 100.10	100	1,0	155	245
RP 40 A 100.12	100	1,2	260	340
RP 40 A 100.15	100	1,5	300	370
RP 40 A 100.20	100	2,0	390	480
RP 40 A 150.10	150	1,0	240	390
RP 40 A 150.12	150	1,2	312	415
RP 40 A 150.15	150	1,5	370	460
RP 40 A 150.20	150	2,0	485	595
RP 40 A 200.12	200	1,2	295	497
RP 40 A 200.15	200	1,5	455	560
RP 40 A 200.20	200	2,0	585	722
RP 40 A 300.15	300	1,5	610	750
RP 40 A 300.20	300	2,0	785	967
RP 40 A 400.15	400	1,5	765	940
RP 40 A 400.20	400	2,0	985	1210
RP 40 A 500.15	500	1,5	920	1130
RP 40 A 500.20	500	2,0	1180	1750
RP 40 A 600.15	600	1,5	1075	1550
RP 40 A 600.20	600	2,0	1380	1923



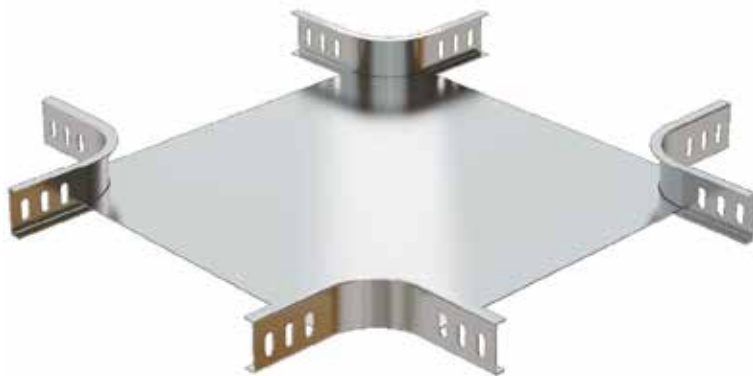
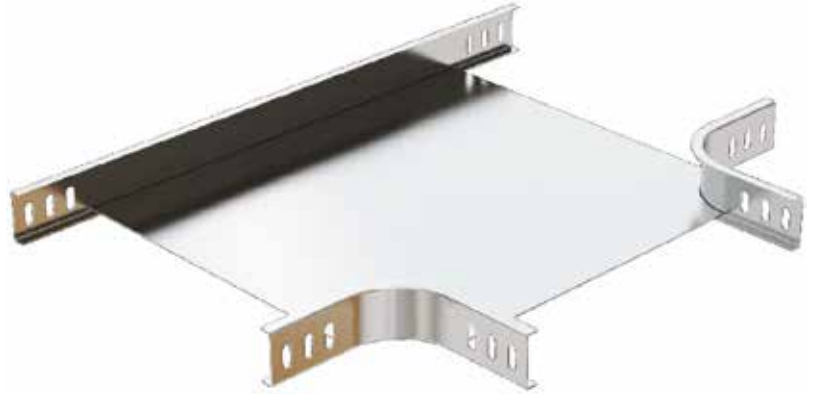
90° HORIZONTAL ROTATION H40

Product Code	Width (mm)	Pre-galvanized Price	Hot Dip Price
RP 40 AK 50.15	50	115	146
RP 40 AK 100.15	100	150	194
RP 40 AK 150.15	150	210	269
RP 40 AK 200.15	200	260	330
RP 40 AK 300.20	300	475	600
RP 40 AK 400.20	400	895	1130
RP 40 AK 500.20	500	1230	1566
RP 40 AK 600.20	600	1640	2070



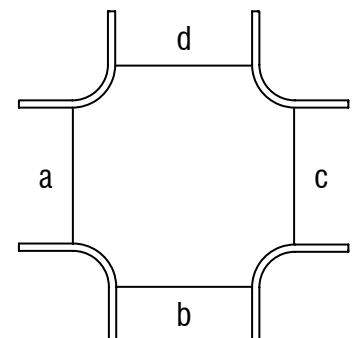
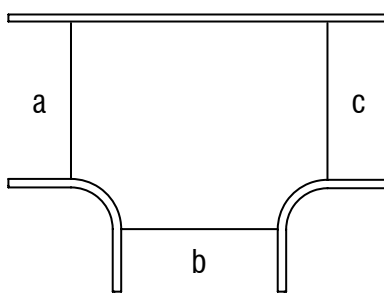
T-TURN H40

Product Code	Width (mm)	Pre-galvanized Price	Hot Dip Price
RP 40 AT 50.15	50	158	200
RP 40 AT 100.15	100	195	247
RP 40 AT 150.15	150	250	320
RP 40 AT 200.15	200	300	380
RP 40 AT 300.20	300	520	658
RP 40 AT 400.20	400	738	930
RP 40 AT 500.20	500	1290	1630
RP 40 AT 600.20	600	1690	2140



QUADRUPLE CONNECTION H40

Product Code	Width (mm)	Pre-galvanized Price	Hot Dip Price
RP 40 AD 50.15	50	200	255
RP 40 AD 100.15	100	240	300
RP 40 AD 150.15	150	295	375
RP 40 AD 200.15	200	340	430
RP 40 AD 300.20	300	565	715
RP 40 AD 400.20	400	780	985
RP 40 AD 500.20	500	1340	1695
RP 40 AD 600.20	600	1740	2200



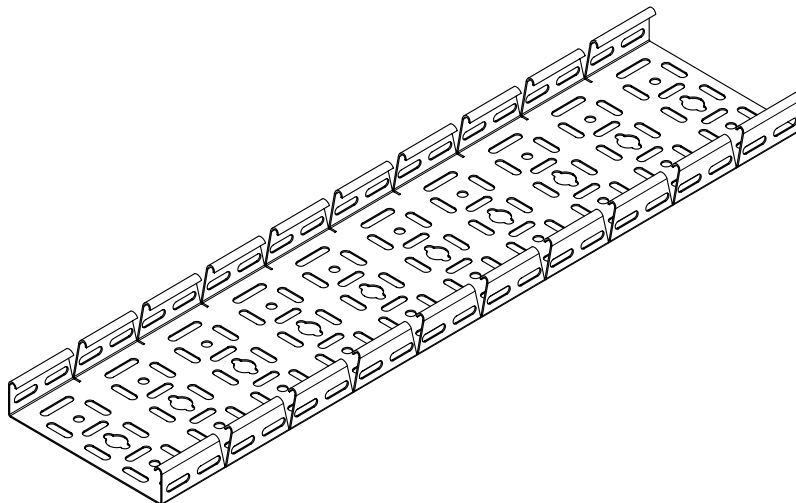
CONCAVE H40

Product Code	Width (mm)	Pre-galvanized Price	Hot Dip Price
RP 40 AIB 50.15	50	159	208
RP 40 AIB 100.15	100	214	280
RP 40 AIB 150.15	150	270	353
RP 40 AIB 200.15	200	325	425
RP 40 AIB 300.20	300	508	665
RP 40 AIB 400.20	400	637	834
RP 40 AIB 500.20	500	984	1290
RP 40 AIB 600.20	600	1150	1507



CONVEX H40

Product Code	Width (mm)	Pre-galvanized Price	Hot Dip Price
RP 40 ADB 50.15	50	159	208
RP 40 ADB 100.15	100	214	281
RP 40 ADB 150.15	150	270	353
RP 40 ADB 200.15	200	325	426
RP 40 ADB 300.20	300	508	665
RP 40 ADB 400.20	400	637	834
RP 40 ADB 500.20	500	984	1290
RP 40 ADB 600.20	600	1150	1507



CABLE CHANNEL H60

Product Code	Width (mm)	Thickness (mm)	Pre-galvanized Price	Hot Dip Price
RP 60 A 50.10	50	1,0	173	241
RP 60 A 50.12	50	1,2	259	329
RP 60 A 50.15	50	1,5	303	370
RP 60 A 50.20	50	2,0	389	478
RP 60 A 100.10	100	1,0	220	306
RP 60 A 100.12	100	1,2	330	419
RP 60 A 100.15	100	1,5	385	471
RP 60 A 100.20	100	2,0	495	608
RP 60 A 150.12	150	1,2	400	508
RP 60 A 150.15	150	1,5	467	572
RP 60 A 150.20	150	2,0	600	738
RP 60 A 200.12	200	1,2	471	598
RP 60 A 200.15	200	1,5	549	672
RP 60 A 200.20	200	2,0	706	867
RP 60 A 300.15	300	1,5	714	873
RP 60 A 300.20	300	2,0	918	1127
RP 60 A 400.15	400	1,5	878	1075
RP 60 A 400.20	400	2,0	1129	1387
RP 60 A 500.15	500	1,5	1043	1276
RP 60 A 500.20	500	2,0	1340	1646
RP 60 A 600.15	600	1,5	1207	1577
RP 60 A 600.20	600	2,0	1552	1906



90° HORIZONTAL ROTATION H60

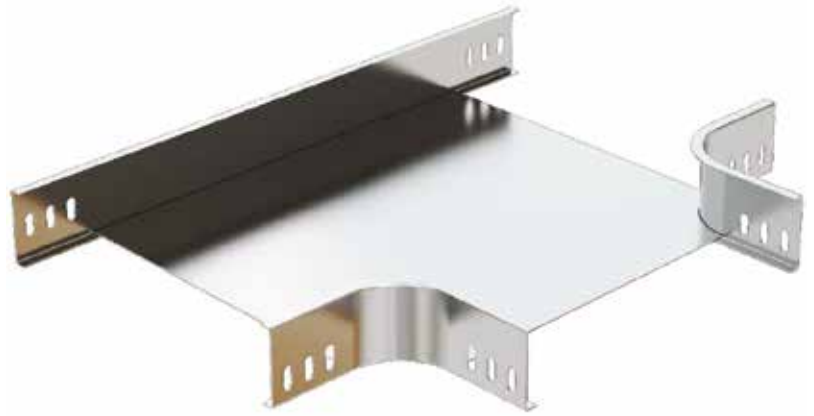
Product Code	Width (mm)	Pre-galvanized Price	Hot Dip Price
RP 60 AK 50.15	50	141	178
RP 60 AK 100.15	100	178	226
RP 60 AK 150.15	150	235	296
RP 60 AK 200.15	200	279	352
RP 60 AK 300.20	300	481	608
RP 60 AK 400.20	400	907	1156
RP 60 AK 500.20	500	1245	1596
RP 60 AK 600.20	600	1665	2100

HEAVY DUTY TYPE H60



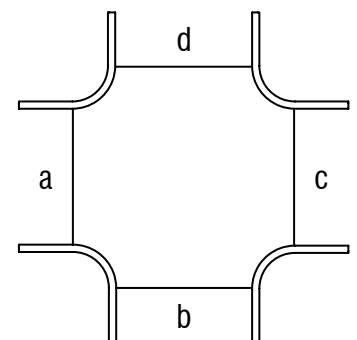
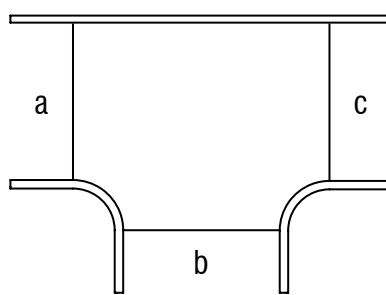
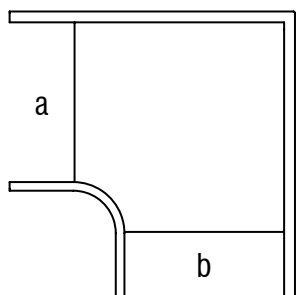
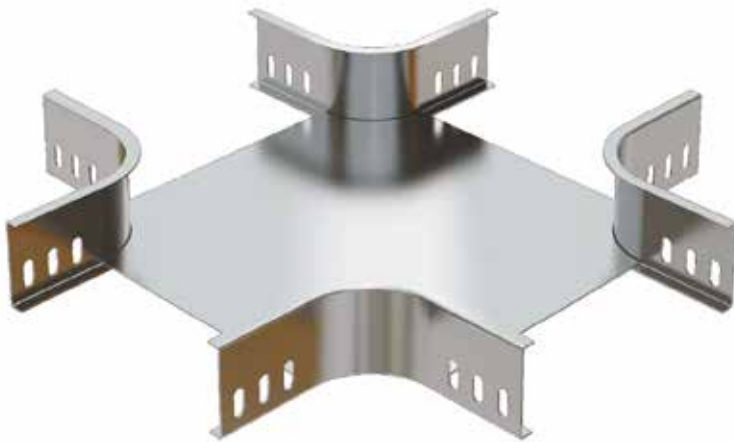
T-TURN H60

Product Code	Width (mm)	Pre-galvanized Price	Hot Dip Price
RP 60 AT 50.15	50	193	244
RP 60 AT 100.15	100	226	286
RP 60 AT 150.15	150	278	351
RP 60 AT 200.15	200	319	403
RP 60 AT 300.20	300	520	657
RP 60 AT 400.20	400	706	893
RP 60 AT 500.20	500	1199	1515
RP 60 AT 600.20	600	1540	1947



QUADRUPLE CONNECTION H60

Product Code	Width (mm)	Pre-galvanized Price	Hot Dip Price
RP 60 AD 50.15	50	244	309
RP 60 AD 100.15	100	274	346
RP 60 AD 150.15	150	321	406
RP 60 AD 200.15	200	359	454
RP 60 AD 300.20	300	557	705
RP 60 AD 400.20	400	735	929
RP 60 AD 500.20	500	1377	1740
RP 60 AD 600.20	600	1554	1965



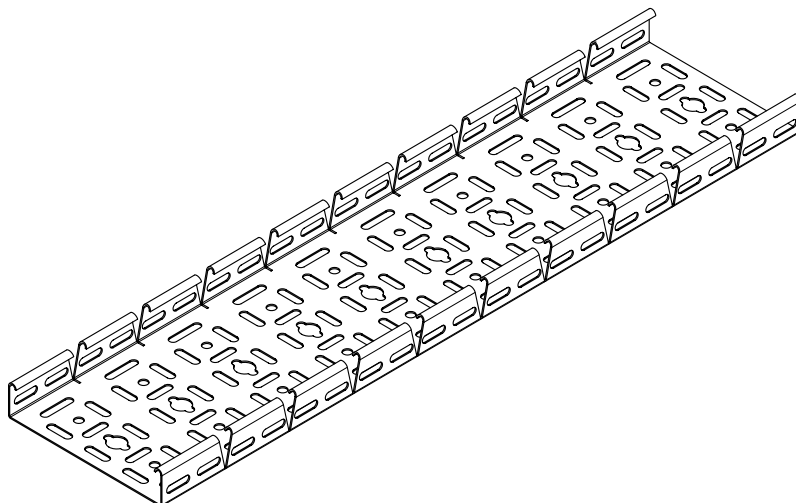
CONCAVE H60

Product Code	Width (mm)	Pre-galvanized Price	Hot Dip Price
RP 60 AİB 50.15	50	199	261
RP 60 AİB 100.15	100	253	332
RP 60 AİB 150.15	150	307	403
RP 60 AİB 200.15	200	361	473
RP 60 AİB 300.20	300	548	718
RP 60 AİB 400.20	400	674	883
RP 60 AİB 500.20	500	1029	1348
RP 60 AİB 600.20	600	1191	1560



CONVEX H60

Product Code	Width (mm)	Pre-galvanized Price	Hot Dip Price
RP 60 ADB 50.15	50	199	261
RP 60 ADB 100.15	100	253	332
RP 60 ADB 150.15	150	307	403
RP 60 ADB 200.15	200	361	473
RP 60 ADB 300.20	300	548	718
RP 60 ADB 400.20	400	674	883
RP 60 ADB 500.20	500	1029	1348
RP 60 ADB 600.20	600	1191	1560



CABLE CHANNEL H100

Product Code	Width (mm)	Thickness (mm)	Pre-galvanized Price	Hot Dip Price
RP 100 A 100.15	100	1,5	540	663
RP 100 A 100.20	100	2,0	695	853
RP 100 A 150.15	150	1,5	626	767
RP 100 A 150.20	150	2,0	805	989
RP 100 A 200.15	200	1,5	712	872
RP 100 A 200.20	200	2,0	916	1125
RP 100 A 300.15	300	1,5	885	1082
RP 100 A 300.20	300	2,0	1137	1397
RP 100 A 400.15	400	1,5	1057	1293
RP 100 A 400.20	400	2,0	1358	1669
RP 100 A 500.15	500	1,5	1229	1504
RP 100 A 500.20	500	2,0	1580	1940
RP 100 A 600.15	600	1,5	1401	1714
RP 100 A 600.20	600	2,0	1802	2212



90° HORIZONTAL ROTATION H100

Product Code	Width (mm)	Pre-galvanized Price	Hot Dip Price
RP 100 AK 100.15	100	265	336
RP 100 AK 150.15	150	337	425
RP 100 AK 200.15	200	391	494
RP 100 AK 300.20	300	645	814
RP 100 AK 400.20	400	876	1107
RP 100 AK 500.20	500	1478	1869
RP 100 AK 600.20	600	1885	2384

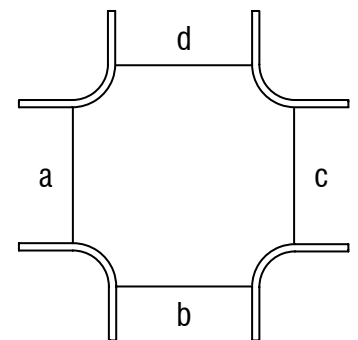
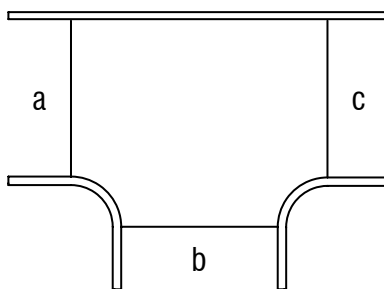
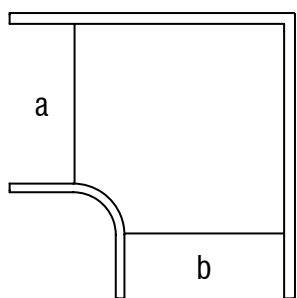
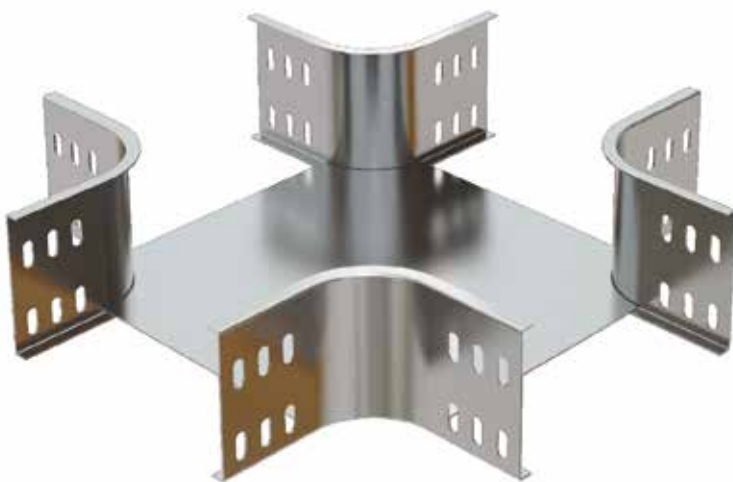
T-TURN H100

Product Code	Width (mm)	Pre-galvanized Price	Hot Dip Price
RP 100 AT 100.15	100	336	425
RP 100 AT 150.15	150	396	502
RP 100 AT 200.15	200	444	562
RP 100 AT 300.20	300	688	870
RP 100 AT 400.20	400	900	1139
RP 100 AT 500.20	500	1485	1878
RP 100 AT 600.20	600	1868	2362



QUADRUPLE CONNECTION H100

Product Code	Width (mm)	Pre-galvanized Price	Hot Dip Price
RP 100 AD 100.15	100	403	509
RP 100 AD 150.15	150	454	573
RP 100 AD 200.15	200	495	626
RP 100 AD 300.20	300	728	920
RP 100 AD 400.20	400	921	1164
RP 100 AD 500.20	500	1652	2089
RP 100 AD 600.20	600	1845	2332



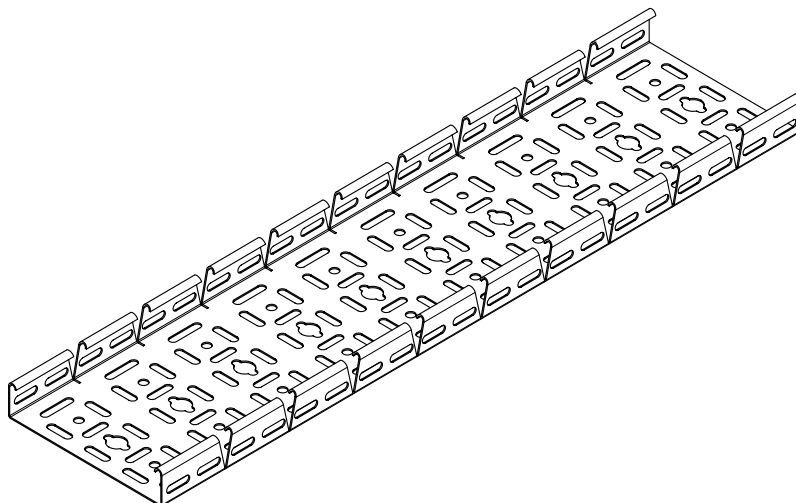
CONCAVE H100

Product Code	Width (mm)	Pre-galvanized Price	Hot Dip Price
RP 100 AIB 100.15	100	374	490
RP 100 AIB 150.15	150	433	568
RP 100 AIB 200.15	200	493	646
RP 100 AIB 300.20	300	714	935
RP 100 AIB 400.20	400	853	1117
RP 100 AIB 500.20	500	1274	1670
RP 100 AIB 600.20	600	1453	1903



CONVEX H100

Product Code	Width (mm)	Pre-galvanized Price	Hot Dip Price
RP 100 ADB 100.15	100	374	490
RP 100 ADB 150.15	150	433	568
RP 100 ADB 200.15	200	493	646
RP 100 ADB 300.20	300	714	935
RP 100 ADB 400.20	400	853	1117
RP 100 ADB 500.20	500	1274	1670
RP 100 ADB 600.20	600	1453	1903



CABLE LADDER H40

Product Code	Width (mm)	Pre-galvanized Price	Hot Dip Price
RP 40 M 100.15	100	232	291
RP 40 M 150.15	150	247	310
RP 40 M 200.15	200	262	329
RP 40 M 300.15	300	293	367
RP 40 M 400.15	400	323	406
RP 40 M 500.20	500	353	446
RP 40 M 600.20	600	383	486



CABLE LADDER H60

Product Code	Width (mm)	Pre-galvanized Price	Hot Dip Price
RP 60 M 100.15	100	286	359
RP 60 M 150.15	150	301	378
RP 60 M 200.15	200	317	397
RP 60 M 300.15	300	347	436
RP 60 M 400.15	400	378	474
RP 60 M 500.20	500	451	566
RP 60 M 600.20	600	482	604



CABLE LADDER H100

Product Code	Width (mm)	Pre-galvanized Price	Hot Dip Price
RP 100 M 100.15	100	395	496
RP 100 M 150.15	150	410	515
RP 100 M 200.15	200	426	534
RP 100 M 300.20	300	456	572
RP 100 M 400.20	400	487	610
RP 100 M 500.20	500	578	726
RP 100 M 600.20	600	609	764

CANAL AND STAIR COVERS

Product Code	Width (mm)	Thickness (mm)	Pre-galvanized Price	Hot Dip Price
RP 15 K 50.10	50	1,0	70	107
RP 15 K 50.12	50	1,2	104	145
RP 15 K 50.15	50	1,5	122	164
RP 15 K 50.20	50	2,0	157	211
RP 15 K 100.10	100	1,0	111	177
RP 15 K 100.12	100	1,2	174	243
RP 15 K 100.15	100	1,5	203	273
RP 15 K 100.20	100	2,0	261	352
RP 15 K 150.10	150	1,0	183	310
RP 15 K 150.12	150	1,2	243	340
RP 15 K 150.15	150	1,5	284	383
RP 15 K 150.20	150	2,0	365	493
RP 15 K 200.10	200	1,0	225	399
RP 15 K 200.12	200	1,2	313	437
RP 15 K 200.15	200	1,5	365	492
RP 15 K 200.20	200	2,0	469	634
RP 15 K 300.12	300	1,2	452	631
RP 15 K 300.15	300	1,5	527	710
RP 15 K 300.20	300	2,0	678	916
RP 15 K 400.15	400	1,5	690	928
RP 15 K 400.20	400	2,0	887	1198
RP 15 K 500.15	500	1,5	852	1147
RP 15 K 500.20	500	2,0	1095	1480
RP 15 K 600.15	600	1,5	1014	1365
RP 15 K 600.20	600	2,0	1304	1761



90° HORIZONTAL ROTATION COVER

Product Code	Width (mm)	Pre-galvanized Price	Hot Dip Price
RP 15 KDK 50.10	50	38	48
RP 15 KDK 100.10	100	78	98
RP 15 KDK 150.10	150	132	167
RP 15 KDK 200.10	200	201	253
RP 15 KDK 300.15	300	443	561
RP 15 KDK 400.15	400	720	910
RP 15 KDK 500.15	500	1062	1343
RP 15 KDK 600.15	600	1472	1861

T-TURN COVER

Product Code	Width (mm)	Pre-galvanized Price	Hot Dip Price
RP 15 TDK 50.10	50	49	62
RP 15 TDK 100.10	100	94	119
RP 15 TDK 150.10	150	153	194
RP 15 TDK 200.10	200	227	287
RP 15 TDK 300.15	300	486	614
RP 15 TDK 400.15	400	774	978
RP 15 TDK 500.15	500	1128	1426
RP 15 TDK 600.15	600	1549	1958



FOUR-WAY CONNECTION COVER

Product Code	Width (mm)	Pre-galvanized Price	Hot Dip Price
RP 15 DBK 50.10	50	64	81
RP 15 DBK 100.10	100	114	144
RP 15 DBK 150.10	150	179	225
RP 15 DBK 200.10	200	257	325
RP 15 DBK 300.15	300	532	673
RP 15 DBK 400.15	400	832	1052
RP 15 DBK 500.15	500	1198	1515
RP 15 DBK 600.15	600	1631	2061

CONCAVE COVER

Product Code	Width (mm)	Pre-galvanized Price	Hot Dip Price
RP 15 İDK 50.10	50	133	168
RP 15 İDK 100.10	100	216	274
RP 15 İDK 150.10	150	300	379
RP 15 İDK 200.10	200	383	484
RP 15 İDK 300.15	300	659	833
RP 15 İDK 400.15	400	1027	1093
RP 15 İDK 500.15	500	1235	1561
RP 15 İDK 600.15	600	1468	1855



CONVEX COVER

Product Code	Width (mm)	Pre-galvanized Price	Hot Dip Price
RP 15 DDK 50.10	50	133	168
RP 15 DDK 100.10	100	216	274
RP 15 DDK 150.10	150	300	379
RP 15 DDK 200.10	200	383	484
RP 15 DDK 300.15	300	659	833
RP 15 DDK 400.15	400	1027	1093
RP 15 DDK 500.15	500	1235	1561
RP 15 DDK 600.15	600	1468	1855

COVER CLAMP

Product Code	Width (mm)	Pre-galvanized Price
RP 40 KK 20.20	40	12
RP 60 KK 20.20	60	15
RP 100 KK 20.20	100	19



ADDITIONAL STAFF

Product Code	Width (mm)	Pre-galvanized Price	Hot Dip Price
RP 40 NE 15.15	40	19	26
RP 60 NE 15.15	60	28	35
RP 100 AE 15.20	100	47	70



SEPARATOR

Product Code	Width (mm)	Pre-galvanized Price	Hot Dip Price
RP 40 SPK 20.15	40	85	107
RP 60 SPK 20.15	60	113	143
RP 100 SPK 20.20	100	217	276



LEVEL CHANGE ELEMENT

Product Code	Width (mm)	Pre-galvanized Price	Hot Dip Price
RP 40 SD 15.20	40	80	101
RP 60 SD 15.20	60	107	135
RP 100 SD 15.20	100	160	202



SOCKET MOUNTING PLATE

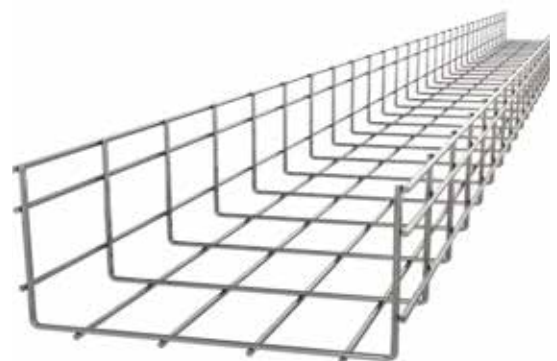
Product Code	Pre-galvanized Price	Hot Dip Price
RP PS 1.20	55	70

WIRE MESH CABLE DUCTS



CABLE DUCT H35/H60/H85/H110

Product Code	Width (mm)	H (mm)	Electro-galvanizing price, Hot-dip galvanizing price, 304 Stainless Steel price
RP 35 TEL 50.40	50	35	Your question
RP 35 TEL 100.40	100	35	Your question
RP 35 TEL 150.40	150	35	Your question
RP 35 TEL 200.40	200	35	Your question
RP 35 TEL 300.40	300	35	Your question
RP 35 TEL 400.40	400	35	Your question
RP 35 TEL 500.40	500	35	Your question
RP 35 TEL 600.40	600	35	Your question
RP 60 TEL 50.40	50	60	Your question
RP 60 TEL 100.40	100	60	Your question
RP 60 TEL 150.40	150	60	Your question
RP 60 TEL 200.40	200	60	Your question
RP 60 TEL 300.40	300	60	Your question
RP 60 TEL 400.40	400	60	Your question
RP 60 TEL 500.40	500	60	Your question
RP 60 TEL 600.40	600	60	Your question
RP 85 TEL 100.40	100	85	Your question
RP 85 TEL 150.40	150	85	Your question
RP 85 TEL 200.40	200	85	Your question
RP 85 TEL 300.40	300	85	Your question
RP 85 TEL 400.40	400	85	Your question
RP 85 TEL 500.40	500	85	Your question
RP 85 TEL 600.40	600	85	Your question
RP 110 TEL 100.40	100	110	Your question
RP 110 TEL 150.40	150	110	Your question
RP 110 TEL 200.40	200	110	Your question
RP 110 TEL 300.40	300	110	Your question
RP 110 TEL 400.40	400	110	Your question
RP 110 TEL 500.40	500	110	Your question
RP 110 TEL 600.40	600	110	Your question



TKB



TSB

ADDITIONAL AND FIXING ELEMENT

Product Code	Thickness (mm)	Electro-galvanizing price, Hot-dip galvanizing price, 304 Stainless Steel price
RP TKB	2,5	Your question
RP TSB	2,5	Your question

L-PROFILE

Product Code	Thickness (mm)	Pre-galvanized Price	Hot Dip Price
RP 40 LP 2500.15	1,5	134	164
RP 40 LP 2500.20	2,0	152	193



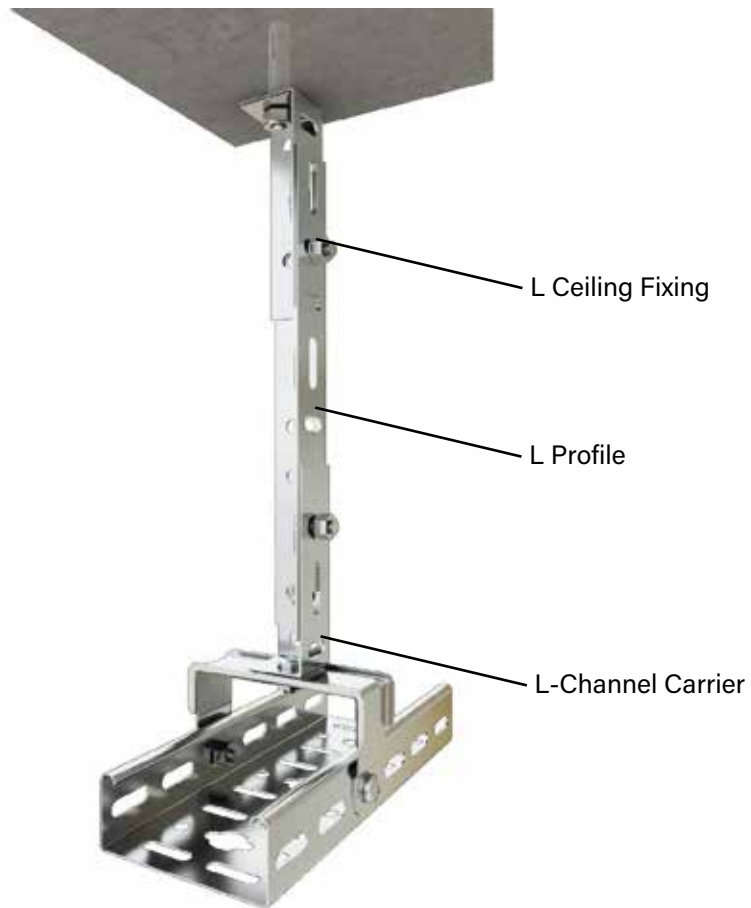
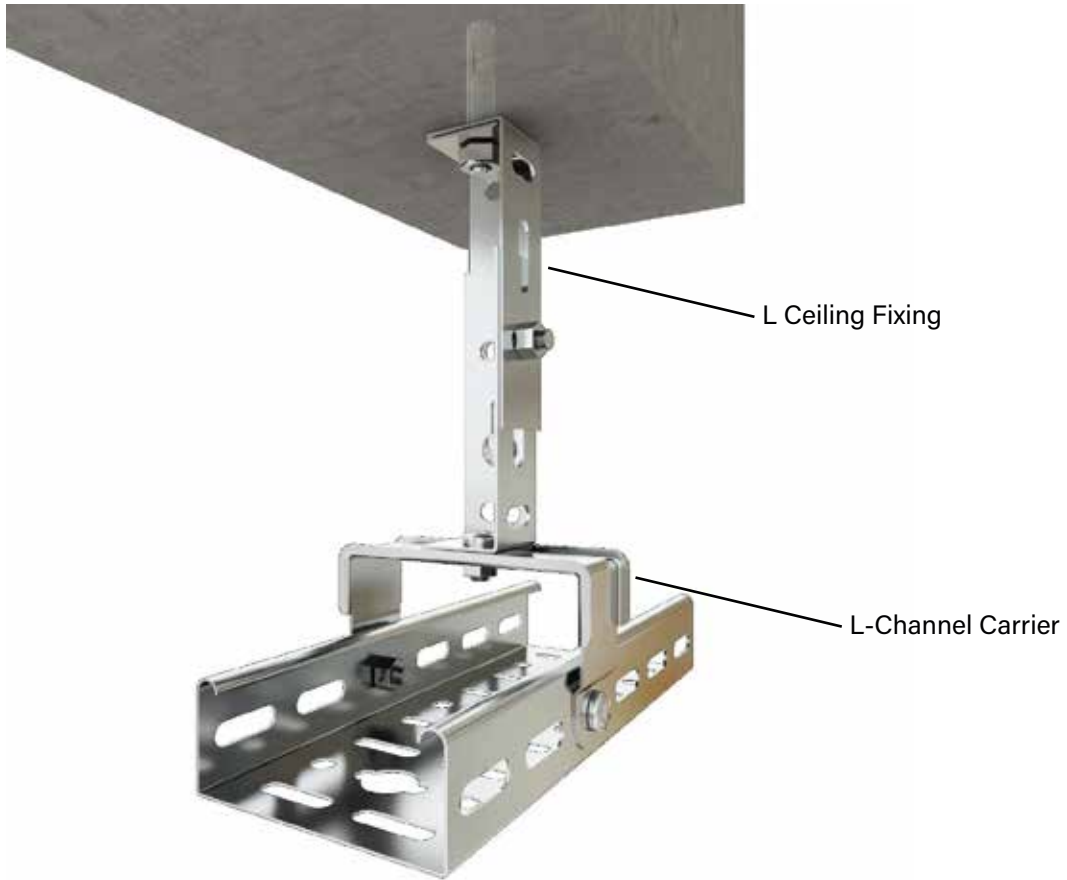
L-SHAPED CEILING FIXING

Product Code	Thickness (mm)	Pre-galvanized Price	Hot Dip Price
RP 40 LD 120.15	1,5	55	69
RP 40 LD 500.15	1,5	139	176



L-SHAPED CHANNEL CARRIER

Product Code	Thickness (mm)	Pre-galvanized Price	Hot Dip Price
RP 120 LKT 50.15	1,5	51	64
RP 120 LKT 100.15	1,5	57	72
RP 120 LKT 150.20	2,0	66	83
RP 120 LKT 200.20	2,0	69	88



Single Threaded Rod Support

Product Code	Thickness (mm)	Pre-galvanized Price	Hot Dip Price
RP 60 TKT 50.15	1,5	20	26
RP 60 TKT 100.15	1,5	30	39
RP 60 TKT 150.15	2,0	38	49
RP 60 TKT 200.15	2,0	45	56
RP 60 TKT 300.20	2,0	110	140



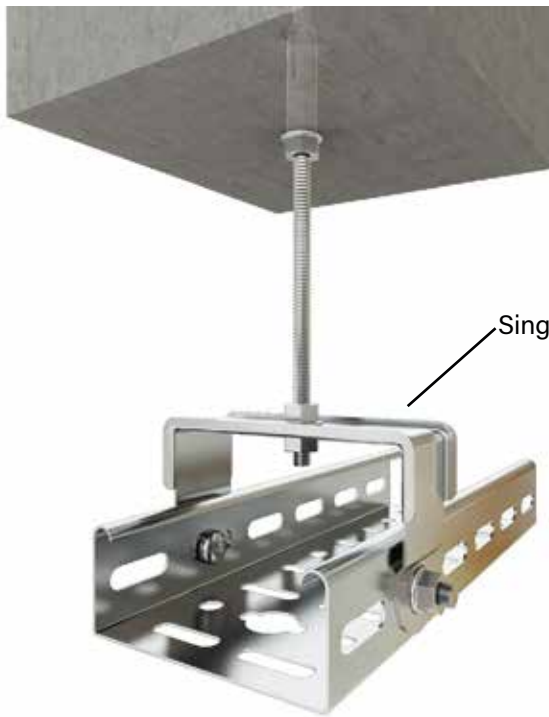
TYPE C THREADED ROD SUPPORT

Product Code	Thickness (mm)	Pre-galvanized Price	Hot Dip Price
RP 100 TKT-C 100.30	3,0	55	70
RP 100 TKT-C 150.30	3,0	70	90
RP 100 TKT-C 200.30	3,0	85	110

Double Threaded Rod Support

Product Code	Thickness (mm)	Pre-galvanized Price	Hot Dip Price
RP 40 TME 100.20	2,0	45	55
RP 40 TME 150.20	2,0	60	77
RP 40 TME 200.20	2,0	70	92
RP 40 TME 300.20	2,0	95	123
RP 40 TME 400.20	2,0	121	153
RP 40 TME 500.20	2,0	146	184
RP 40 TME 600.20	2,0	170	215





Single Rod Carrier



Double Rod Carrier



Type C Rod Carrier



Double Rod Carrier

Double Rod Carrier

U PROFILE

Product Code	Thickness (mm)	Pre-galvanized Price	Hot Dip Price
RP 40 UP 2500.15	1,5	191	257
RP 40 UP 2500.20	2,0	240	319

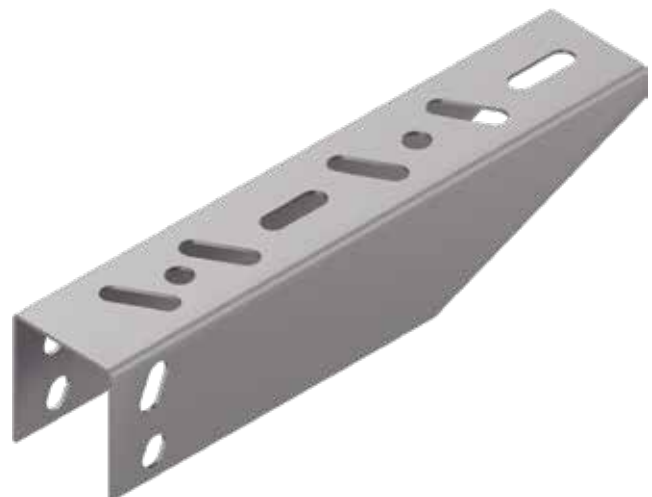


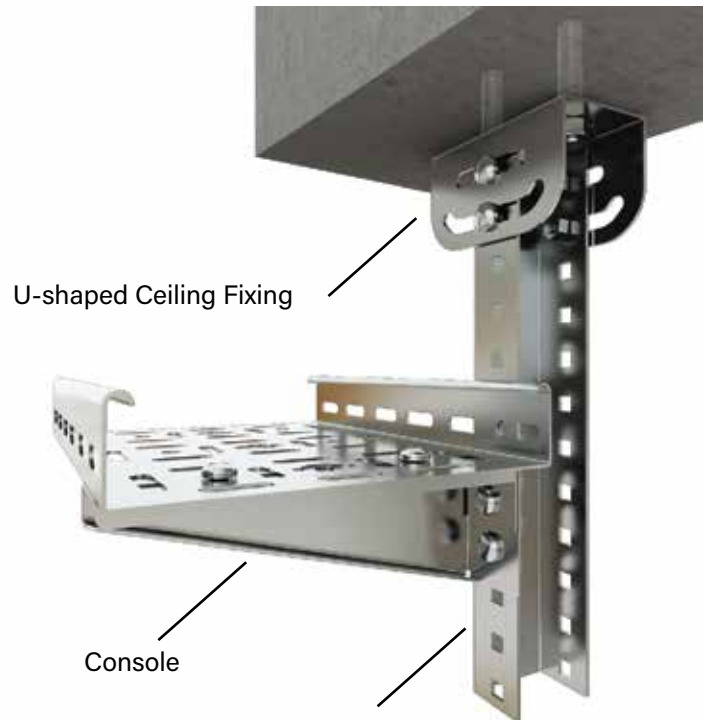
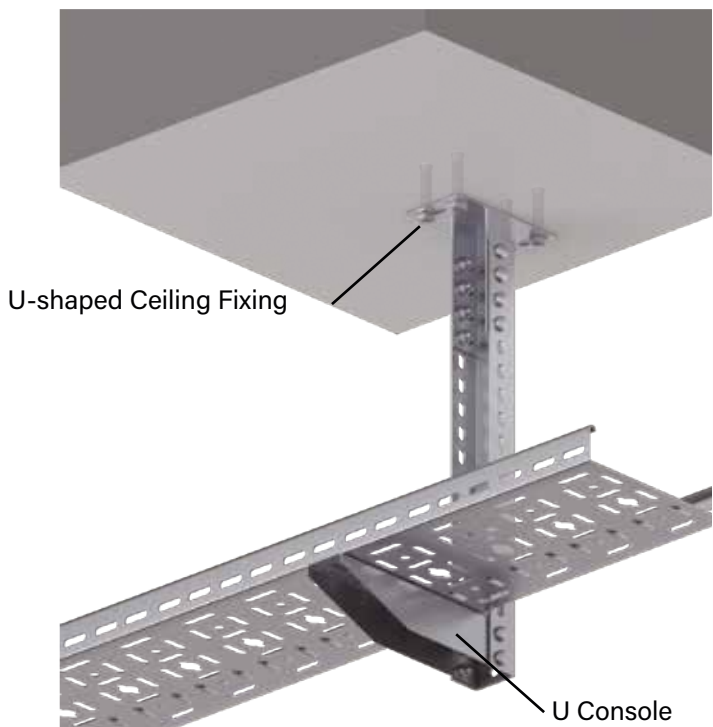
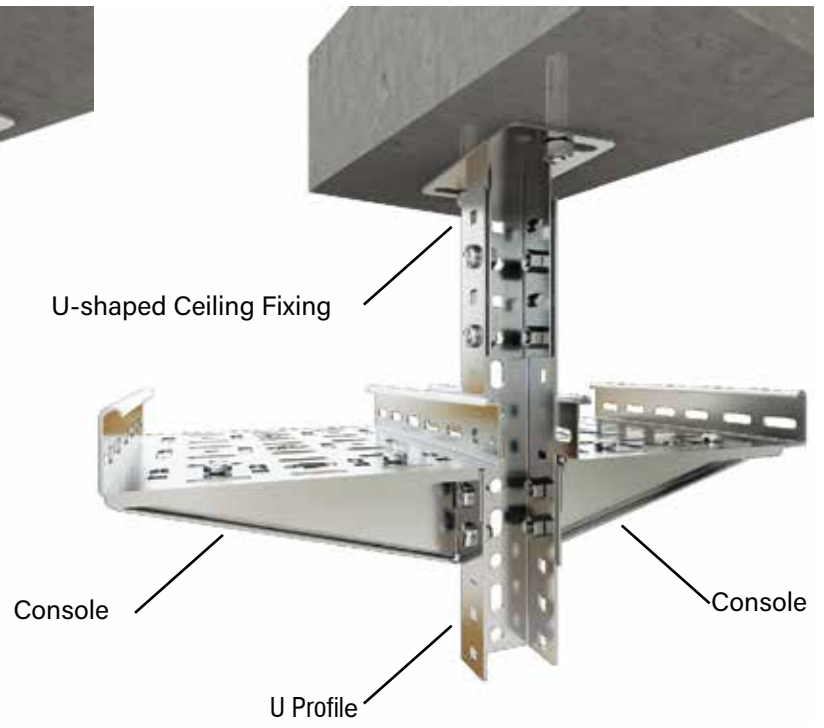
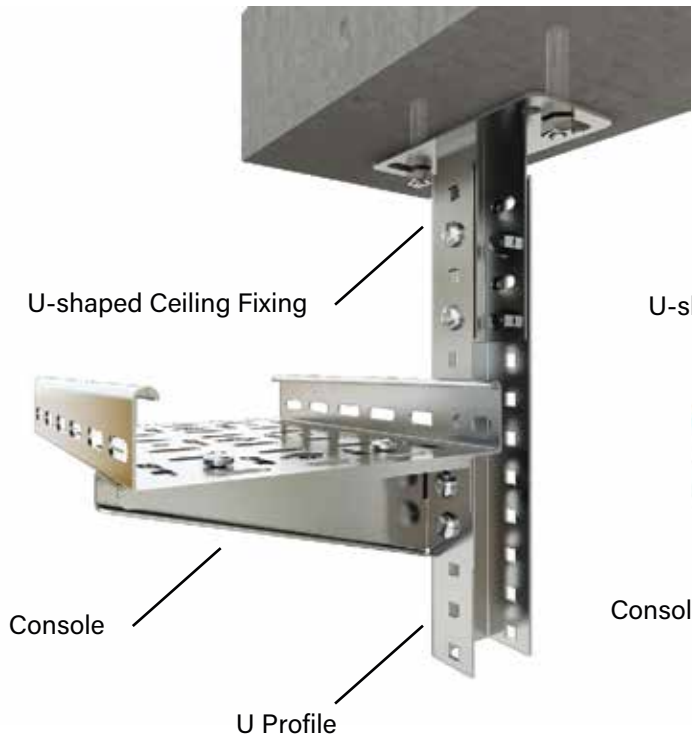
U-SHAPED CEILING FIXING

Product Code	Thickness (mm)	Pre-galvanized Price	Hot Dip Price
RP 40 UD 120.20	2,0	80	97
RP 40 UD 500.20	2,0	180	239
RP 100 UTT 85.20	2,0	55	65

U CONSOLE

Product Code	Thickness (mm)	Pre-galvanized Price	Hot Dip Price
RP 70 UK 50.15	1,5	32	41
RP 70 UK 100.15	1,5	50	64
RP 70 UK 150.15	1,5	72	91
RP 70 UK 200.15	1,5	86	109
RP 90 UK 300.20	2,0	118	149
RP 90 UK 400.20	2,0	197	249
RP 90 UK 500.20	2,0	242	306
RP 90 UK 600.20	2,0	287	363





WALL BRACKET

Product Code	Thickness (mm)	Pre-galvanized Price	Hot Dip Price
RP 70 DK 50.15	1,5	30	42
RP 70 DK 100.15	1,5	44	62
RP 70 DK 150.15	1,5	57	79
RP 70 DK 200.15	1,5	68	95
RP 125 DK 300.20	2,0	95	132
RP 125 DK 400.20	2,0	196	273
RP 125 DK 500.20	2,0	228	317
RP 125 DK 600.20	2,0	255	355



WELDED WALL BRACKET

Product Code	Thickness (mm)	Pre-galvanized Price	Hot Dip Price
RP 120 DK 50.15	1,5	30	47
RP 120 DK 100.15	1,5	50	70
RP 120 DK 150.15	1,5	65	91
RP 120 DK 200.15	1,5	75	108
RP 140 DK 300.20	2,0	110	151
RP 140 DK 400.20	2,0	225	314
RP 140 DK 500.20	2,0	260	364
RP 140 DK 600.20	2,0	290	408

OMEGA CONSOL

Product Code	Thickness (mm)	Pre-galvanized Price	Hot Dip Price
RP 30 OKT 100.20	2,0	38	53
RP 30 OKT 150.20	2,0	46	64
RP 30 OKT 200.20	2,0	54	75
RP 30 OKT 300.20	2,0	70	98
RP 30 OKT 400.20	2,0	86	120
RP 30 OKT 500.20	2,0	102	142
RP 30 OKT 600.20	2,0	118	164





I (NPI 80) PROFILE

Product Code	Thickness (mm)	Pre-galvanized Price	Hot Dip Price
RP 80 IP 500.50	5,0	522	606
RP 80 IP 1000.50	5,0	1044	1213
RP 80 IP 1500.50	5,0	1566	1819
RP 80 IP 2000.50	5,0	2089	2426
RP 80 IP 3000.50	5,0	3133	3638



I (NPI 80) PROFILE CEILING FIXING ELEMENT

Product Code	Thickness (mm)	Pre-galvanized Price	Hot Dip Price
RP 80 ITD 500.50	5,0	678	787
RP 80 ITD 1000.50	5,0	1200	1393
RP 80 ITD 1500.50	5,0	1722	1999
RP 80 ITD 2000.50	5,0	2244	2606
RP 80 ITD 3000.50	5,0	3288	3819

I (NPI 80) CONSOLE

Product Code	Thickness (mm)	Pre-galvanized Price	Hot Dip Price
RP 70 IK 100.30	3,0	221	261
RP 70 IK 150.30	3,0	255	303
RP 70 IK 200.30	3,0	277	330
RP 90 IK 300.30	3,0	432	517
RP 90 IK 400.30	3,0	496	596
RP 90 IK 500.30	3,0	560	675
RP 90 IK 600.30	3,0	624	755



CONNECTING ELEMENTS

Product Code	Product Name	Diameter (mm)	Price
RP BBC M8x15	Round Head Bolt	M8	1,9
RP ÇS M8	Nut	M8	1,9
RP ÇS M10	Nut	M10	3
RP FS M8	Flange Nut	M8	3
RP FS M10	Flange Nut	M10	4
RP DR M8	Flat Washer	M8	1
RP DR M10	Flat Washer	M10	2
RP T M8x1000	Threaded Rod (Stud) L:1000	M8	53
RP T M8x2000	Threaded Rod (Stud) L:2000	M8	106
RP T M10x1000	Threaded Rod (Stud) L:1000	M10	99
RP T M10x2000	Threaded Rod (Stud) L:2000	M10	168
RP ÇED M8	S-Type Sleeve Anchor	M8	9
RP ÇED M10	S-Type Sleeve Anchor	M10	16
RP SGD M8	Metal Sleeve Anchor	M8	9,5
RP SGD M10	Metal Sleeve Anchor	M10	17
RP US M8	Coupling Nut	M8	30
RP US M10	Coupling Nut	M10	46
RP MNG M8	Beam Clamp	M8	80
RP MNG M10	Beam Clamp	M10	100
RP KPL 8x80	Cotter Pin	M8	30



GROUNDING ELEMENTS (PREGALVATED)



GROUNDING STRIP

Product Code	Thickness (mm)	Price (Kg/TL)
RP GTŞ 30x2	2,0	100
RP GTŞ 30x2,5	2,5	100
RP GTŞ 30x3	3,0	100
RP GTŞ 30x3,5	3,5	100



GROUNDING STAKE

Product Code	Thickness (mm)	Price
RP GTK 40410	2	212
RP GTK 40415	2,5	322
RP GTK 50510	4,0	372
RP GTK 50515	5,0	558

CONNECTING ELEMENTS

Product Code	Product Name	Price
RP EK 1	Şeritten Şeride	42
RP EK 2	Şeritten Demire	43



CABLE CHANNEL H30

Product Code	Thickness (mm)	Pre-galvanized price
RP 30 D 120.10	1,0	399
RP 30 D 160.10	1,0	549
RP 30 D 200.10	1,0	669
RP 30 D 240.10	1,0	750
RP 30 D 300.10	1,0	899

CABLE CHANNEL H40

Product Code	Thickness (mm)	Pre-galvanized price
RP 40 D 120.10	1,0	449
RP 40 D 160.10	1,0	599
RP 40 D 200.10	1,0	719
RP 40 D 240.10	1,0	800
RP 40 D 300.10	1,0	949



ADDITIONAL ELEMENT H30

Product Code	Thickness (mm)	Pre-galvanized price
RP 30 DEK 120.12	1,2	104
RP 30 DEK 160.12	1,2	123
RP 30 DEK 200.12	1,2	143
RP 30 DEK 240.12	1,2	163
RP 30 DEK 300.12	1,2	193

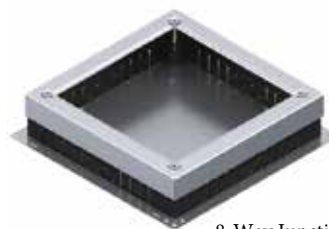
ADDITIONAL ELEMENT H40

Product Code	Thickness (mm)	Pre-galvanized price
RP 40 DEK 120.12	1,2	109
RP 40 DEK 160.12	1,2	128
RP 40 DEK 200.12	1,2	148
RP 40 DEK 240.12	1,2	168
RP 40 DEK 300.12	1,2	198



JUNCTION BOX AND SOCKET HOUSING

Product Code	Measurement (mm)	Price
RP DAB 2	352 x 352	1200
RP DPK 2	252 x 252	1200
RP DAB 12	352 x 352	1400
RP DPK 12	252 x 252	1400



8-Way Junction Box



12-Way Junction Box

RAISED GROUND EXIT BOXES (GROMETS)

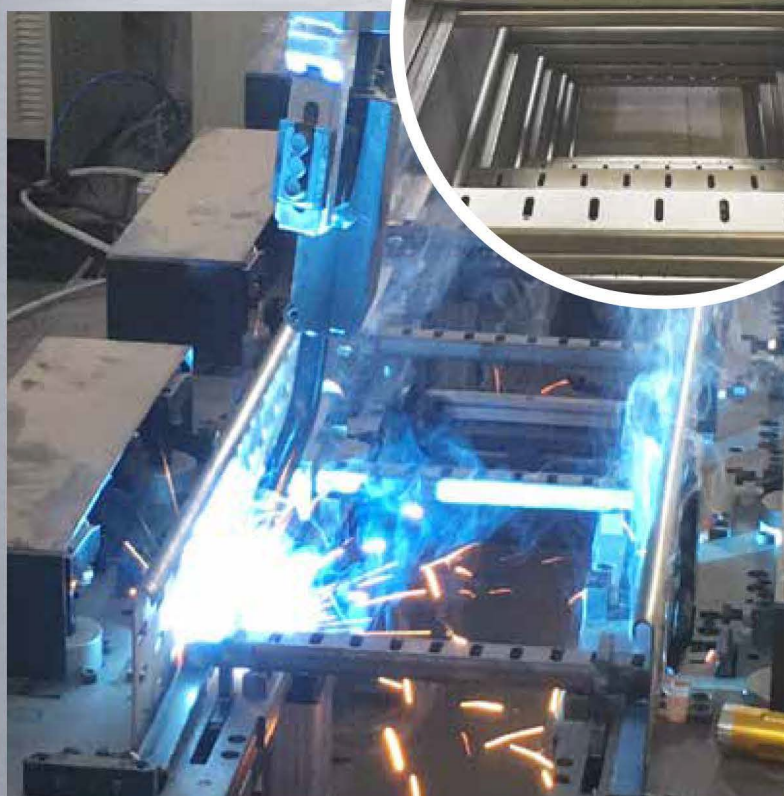
Product Code	Measurement (mm)	Price
RP GRM 1	120x120	850





METAL CABLE TRAYS AND TRANSPORT SYSTEMS

WWW.ALMAASY.COM



ALBAYRAQ ALMAASY CO. LTD

Electrical Equipment, Tools, Generators and Services

Tax number: 47742 / Libyan company

+218 91 219 0992 +218 92 219 0992 +218 94 219 0992

info@almaasy.com TRIPOLI / LIBYA